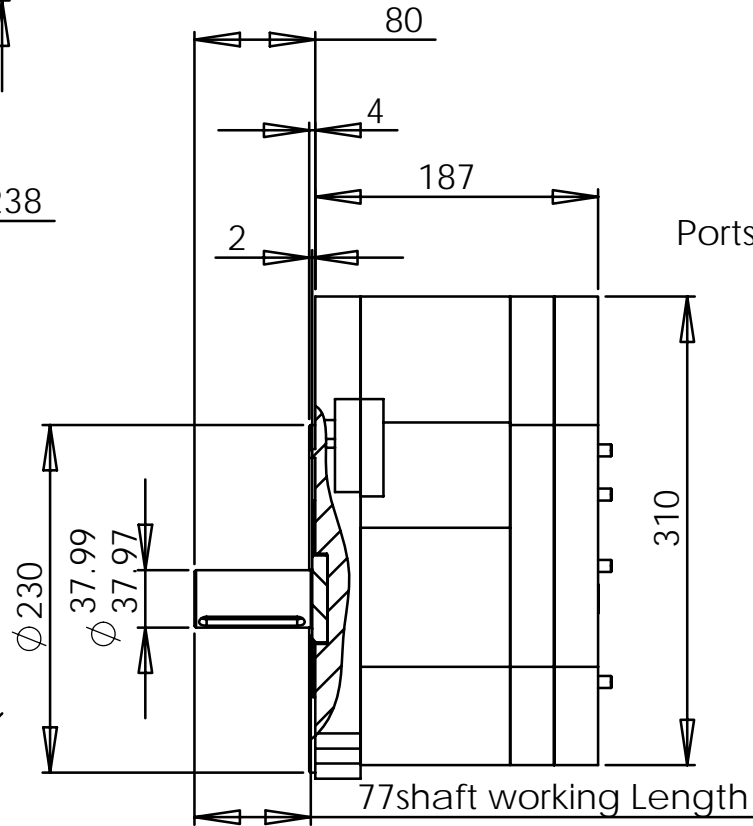
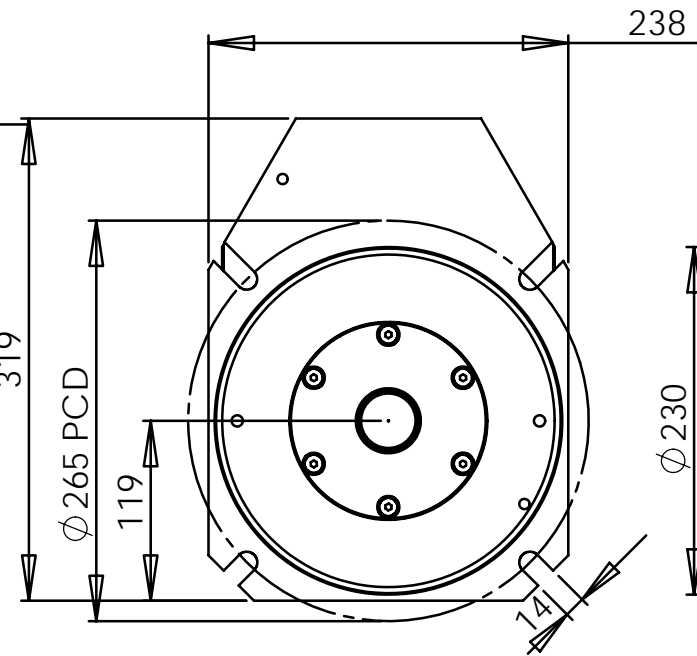
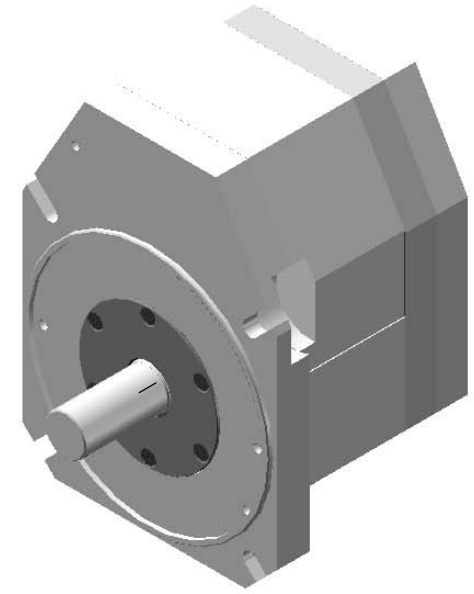
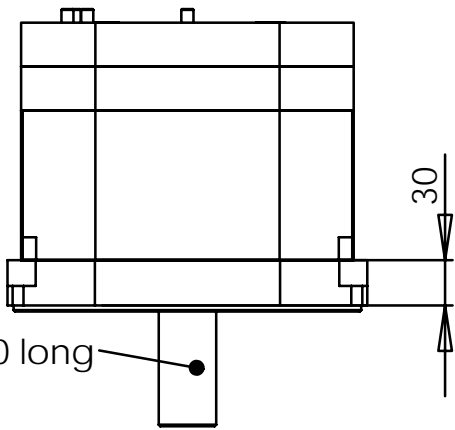


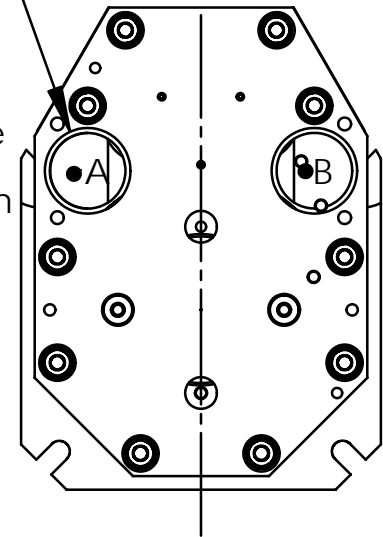
DRG. NO. 117/001A sht3



Ports 2" BSPP

Pressure Port A Rotation

Pressure Port B Rotation



THIS DRAWING IS THE PROPERTY OF Armax Motoren GmbH AND MAY NOT WITHOUT WRITTEN CONSENT BE COPIED IN WHOLE OR PART OR USED FOR ANY PURPOSE OTHER THAN ORIGINALLY SUPPLIED

ISSUE	REMARKS	DATE	NAME	SIGNATURE	DATE	UNLESS OTHERWISE SPECIFIED: DIMENSIONS ARE IN MILLIMETERS	3rd ANGLE PROJECTION	
			DRAWN: TM		8/3/07	TOLERANCES: LINEAR: +/- 0.1 ANGULAR: +/- 0.25°		
			CHK'D:					
			APPV'D:					
GP16 Geared Piston Motor		MATERIAL: MS		DRG. NO. 117/001A sht3		ORIGINAL SHEET SIZE: A4	SCALE: 1:1	SHEET 1 OF 1
		SURFACE FINISH: 1.6 U.O.S.						